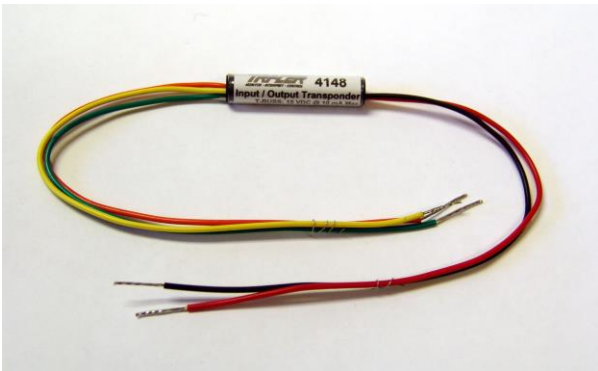


4148 Input/Output Module, Miniature Transponder



Tracer's 4148 Input Module

Single Wire T-Buss™ Loop

99 IDMs Scanned 6x/SEC

DIGITAL INPUT

Any floating contact can be read by the 4148. Supervision of the input contact or output is not provided.

PROGRAMMING

The 4148 can be set to any address from 0 to 255. The address is stored internally in an EEPROM. The address is written into the module through the 2-wires connected to the T-Buss™, and can actually be changed while the module is on the T-Buss™. An available TPU-7 Programmer/tester is available through Tracer.

Note: TCU-7 supports IDM numbers 1-99

APPROVALS

The T-Buss™ and its components meet or exceed such standards as UL 864.

Note: The wires need to be tie wrapped to the body to pass the 10lb pull test.

HIGHLIGHTS

- Very Low Cost
- Miniature Size
- High Noise Immunity
- Reads a contact, controls an output

DESCRIPTION

The 4148 input/output transponder is compatible with Tracer's T-Buss™ multiplex system. The module provides a direct interface between dry contact input/output and the T-Buss controller. The 5-wire module connects to the T-Buss™ (2 wires), contact that is to be monitored (2 wires) and an output device (1 wire).

The T-BUSS™

The T-Buss™ is Tracer's patented low-cost multiplex system. Two-wires are used to power the ID Modules (IDMs), to send commands to the modules and to receive their data. The commands from the central polling controller to the IDMs take the form of modulating the T-Buss™ voltage between 0-10v. The data returned from the modules is in the form of increased T-Buss™ current.

For technical details on the T-Buss™ and its protocol, please contact Tracer's marketing group.

Patented Technology

High Noise Immunity

SPECIFICATION

T-Buss™ Voltage: 8v to 16v (supplied by TCU-7/M)

T-Buss™ Duty Cycle: 50% to 100%

T-Buss™ Current: 15uA typical @ 7v
60uA @ 10v

Sub-Loop Current: 0 to 15 mA @ 10v (at contact input)

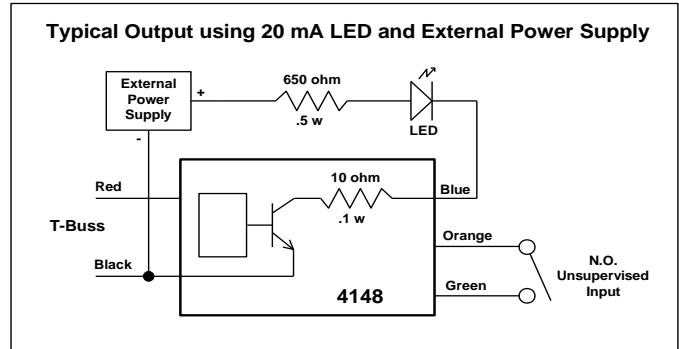
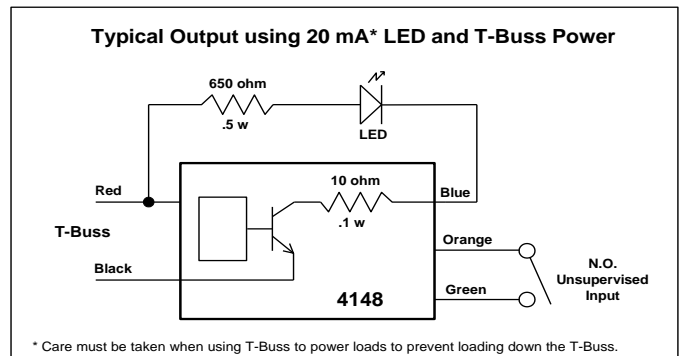
Operating Power: Supplied by **T-Buss™**

T-Buss™ Wiring: 18 - 22 AWG twisted (unshielded), 6,000 feet or 150 Ohms

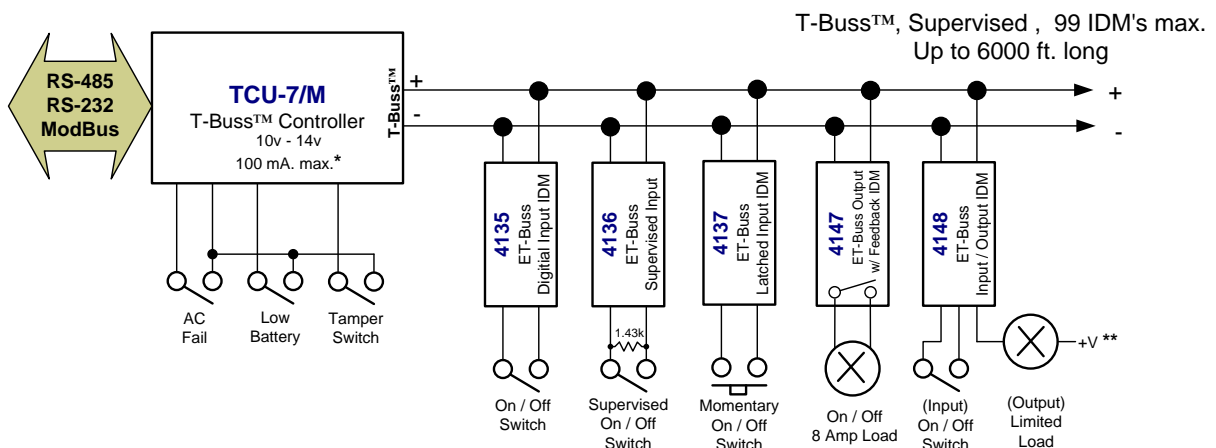
Dimension, Body: 9 mm dia x 42 mm long

Leads: 22 AWG, approx 142 MM long (power limited)

Red (+), Black (-) to T-Buss™
Green, Orange to contact input
Blue to output signal (see additional configuration as shown)



Tracer T-Buss™ System



* In the event the that the T-Buss™ loop is shorted, the TCU-7 will require up to 300 MA. In order to report the shorted T-Buss condition.

** +V connects to +side of T-Buss™ for limited power draw. Connect to Isolated power for additional capability.